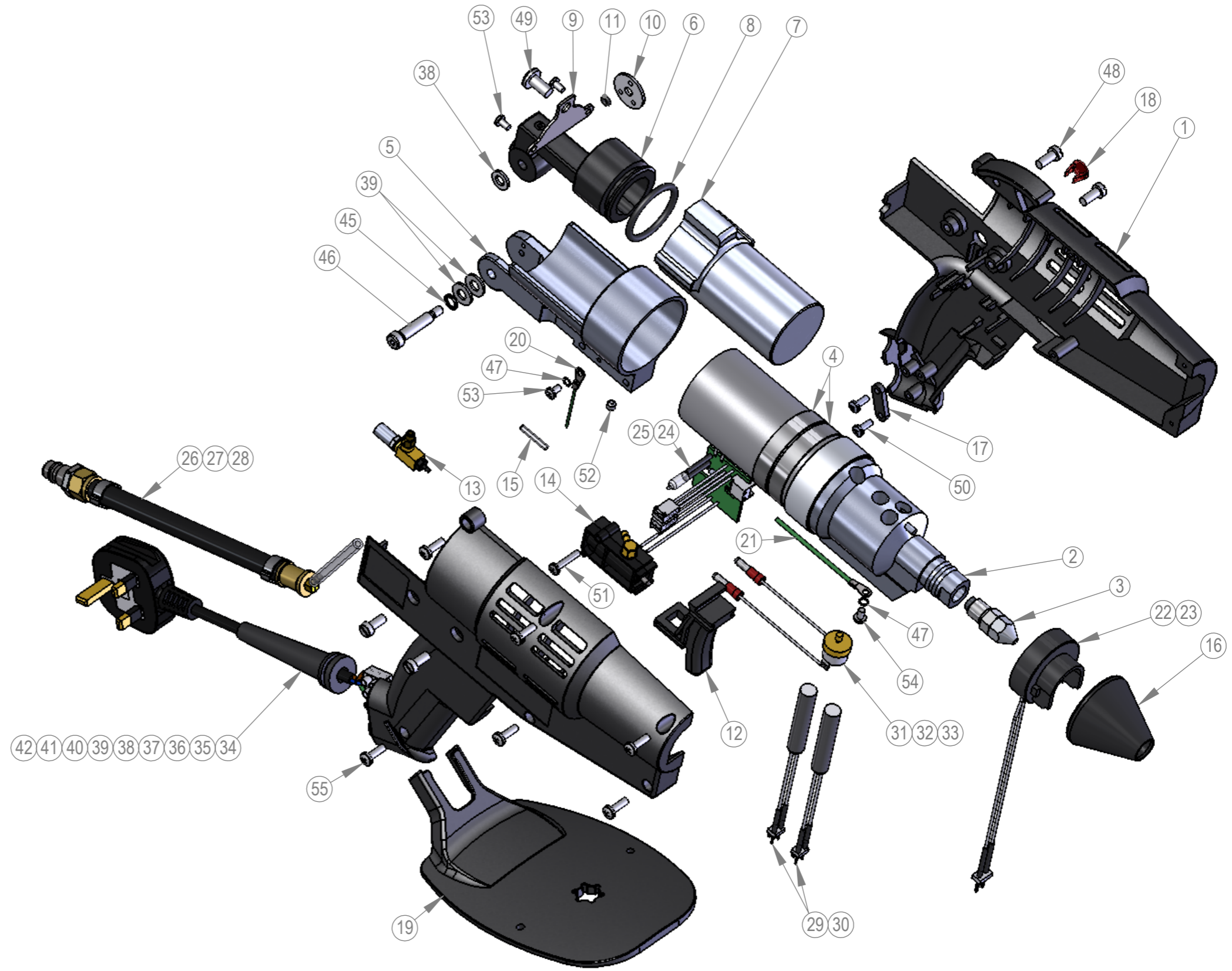


ITEM NO.	PART NUMBER	REVISION	DESCRIPTION	QTY
1	NDN006	REL-01	Handle Moulding - Tec 6000	1
2	ADD002	REL-01	Heater Housing Assy.	1
3	ANZ016	REL-01	Standard Nozzle	1
4	MDA013	REL-01	Barrel Support Ring	2
5	CMA003	REL-09	Barrel Support	1
6	AZZ032	REL-07	Piston Support	1
7	CMA005	REL-04	Tec 6000 Coated Piston	1
8	FOZ001	REL-01	O Ring	1
9	SDC001	REL-01	Piston Plate	1
10	HWZ014	REL-01	Special Washer	1
11	FOZ002	REL-01	O Ring	1
12	NDN001	REL-02	Trigger Moulding	1
13	AGD002	REL-01	Silencer Assy.	1
14	AGD003	REL-01	6100 Trigger Valve Assy.	1
15	PAP003	REL-01	Urethane Hose 50mm	1
16	PA3041	REL-01	Nozzle Shroud	1
17	NDN003	REL-01	Cord Clamp	1
18	H018B	REL-01	Lens	1
19	NDN005	REL-02	Heavy Duty 6000 Stand	1
20	AED005	REL-01	Earth Wire Assy.	1
21	PA4028	REL-01	Earth Wire Assy.	1
22	AED002	REL-01	Spacer/Thermal Fuse Assy. 240C 230V	1
23	AED027	REL-02	Spacer/Thermal Fuse Assy. 240C 110V	1
24	AED004	REL-01	PCB Assy. 230V	1
25	AED007	REL-01	PCB Assy. 120V	1
26	AGD032	REL-02	Airline Assy 3m Std	1
27	AGD033	REL-02	Airline Assy 3m US	1
28	AGD031	REL-01	Airline Assy Extension	1
29	PA6034	REL-01	Heater Assy. 230V	2
30	PA6035	REL-01	Heater Assy. 120V	2
31	AED010	REL-01	195 Deg. Thermostat Assy.	1
32	AED015	REL-01	Lowmelt Thermostat Assy.	1
33	AED014	REL-01	204 Deg. Thermostat Assy.	1
34	PA6066	REL-01	UK Cordset Assy. 3 Core 3m	1
35	PA8022	REL-01	US Cordset Assy. 3 Core 3m	1
36	PA6067	REL-01	110V UK Cordset Assy. 3 Core 3m	1
37	PA6065	REL-01	Euro Cordset Assy. 3 Core 3m	1
38	AJR025	REL-01	South African Cordset Assy. 3 Core 3m	1
39	AJR035	REL-01	Australian Cordset Assy. 3 Core 3m	1
40	AJR012	REL-01	230V Extension Cordset Assy.	1
41	AJR013	REL-01	110V Extension Cordset Assy.	1
42	AJR032	REL-01	US Extension Cordset Assy.	1
38	HWZ005		Washer M6 Nylon	1
39	HWZ009		Washer M6	2
45	HWZ013		Washer 1/4" Spring	1
46	HSZ048		Shoulder Bolt	1
47	PA1042		Washer 4BA Spring	2
48	HSZ006		Screw M5 x 12 Slot Cheese Head	4
49	HSZ020		1/4" x 1/2" Screw	1
50	HSZ049		Screw #6 x 3/8" Pozi Pan	2
51	HSZ060		Screw #6 x 3/4" Pozi Pan	1
52	HSZ015		Screw 10-32 UNF x 3/16" SKT-SET	1
53	HSZ013		6-32 UNC x 1/4" Screw	3
54	PA1032		Screw 4BA x 1/4" Pozi Pan	1
55	PA3045		Screw 4 x 12mm Plastite Pozi Pan	6



MATERIAL	N/A	DRAWN	SteveE	DIMENSIONS ARE IN MM UNLESS OTHERWISE STATED	TOLERANCES UNLESS OTHERWISE STATED	SCALE 1:2.5
	FINISH		N/A			
COLOUR	N/A	ECR No.		THIRD ANGLE	WHOLE NUMBERS ±0.5mm 1 DECIMAL PLACE ±0.3mm 2 DECIMAL PLACE ±0.1mm	SHEET 1 OF 1
NOTES			TITLE			
From Serial # 36867 -			Tec 6100			REVISION
			Tec 6100			
			DWG. No.			
			A3			

THIS DRAWING AND THE INFORMATION IT CONTAINS IS THE PROPERTY OF POWER ADHESIVES AND IS CONFIDENTIAL. IT MUST NOT BE REPRODUCED EITHER WHOLLY OR IN PART. ALL RIGHTS IN RESPECT OF PATENTS, DESIGNS AND COPYRIGHTS ARE RESERVED.